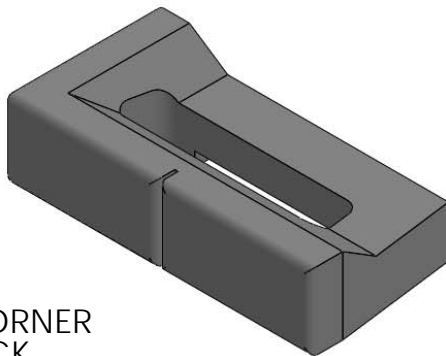
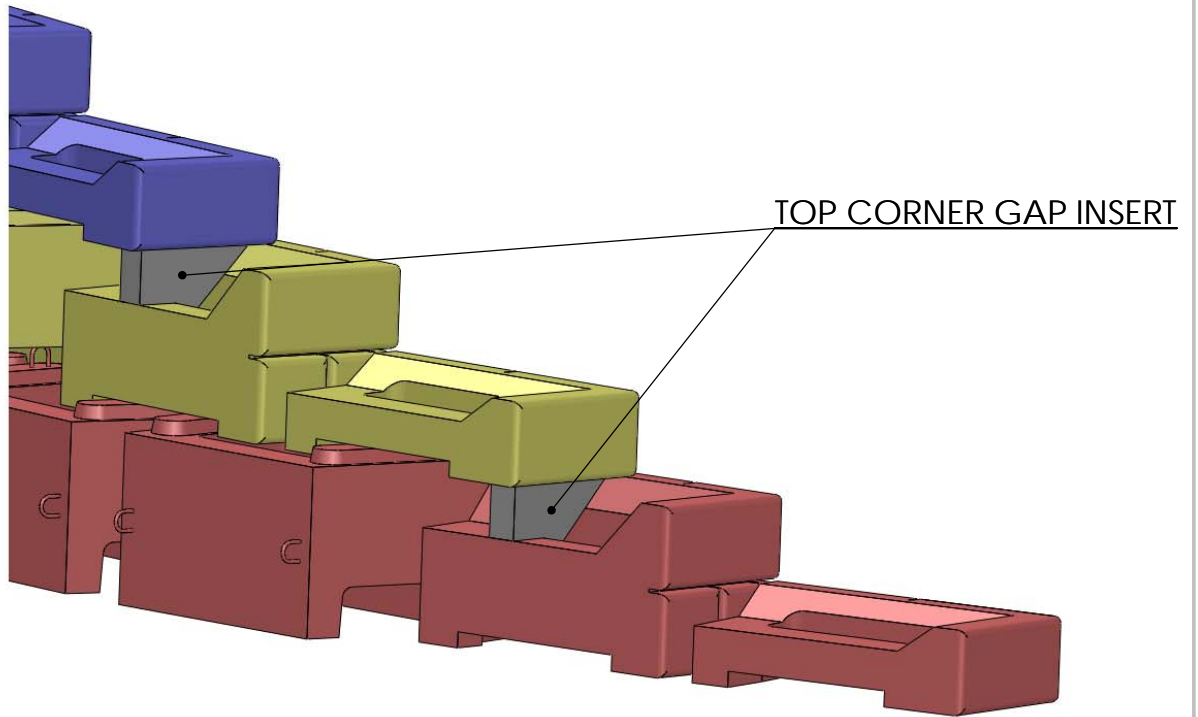
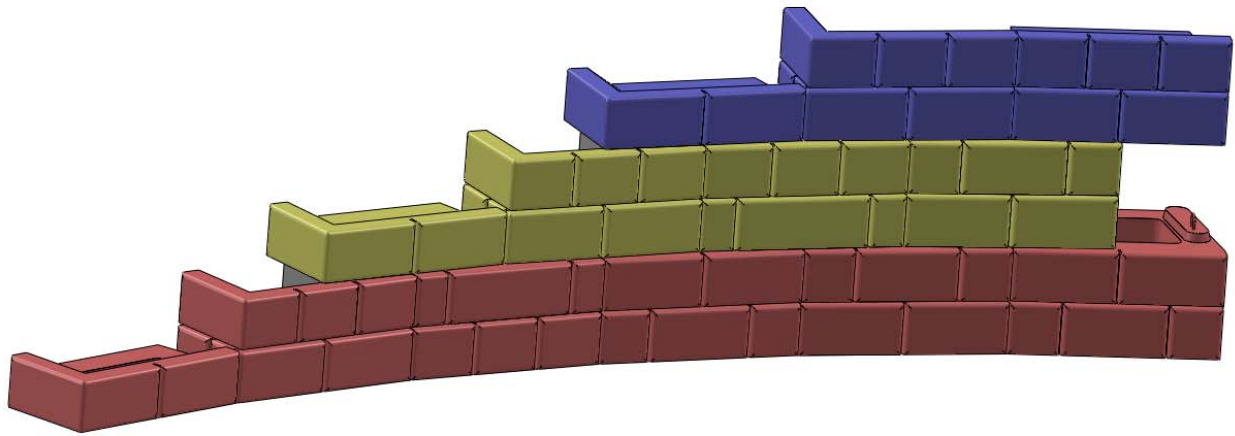
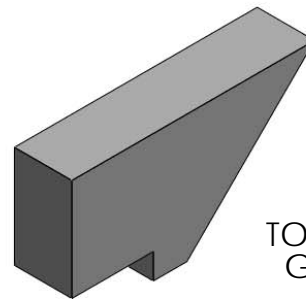


**6' STEP DOWN WITH HALF-STEP BLOCK
AND TOP CORNER GAP INSERT**



HALF-STEP CORNER
TOP BLOCK



TOP CORNER
GAP INSERT



DRAWN BY
DAN BALLING

DATE
12/12/2013

16500 SOUTH 500 WEST
BLUFFDALE, UTAH 84065
PHONE: (801) 571-2028

TITLE:
6' STEP W/ HALF STEP BLOCK

DWG NO.

WD-10

SCALE: 1: 40

SHEET 1 OF 1