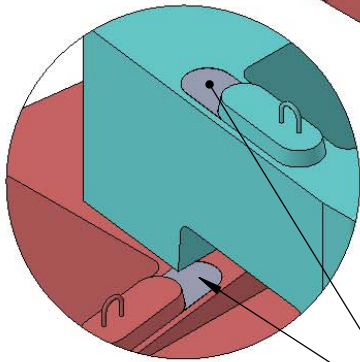
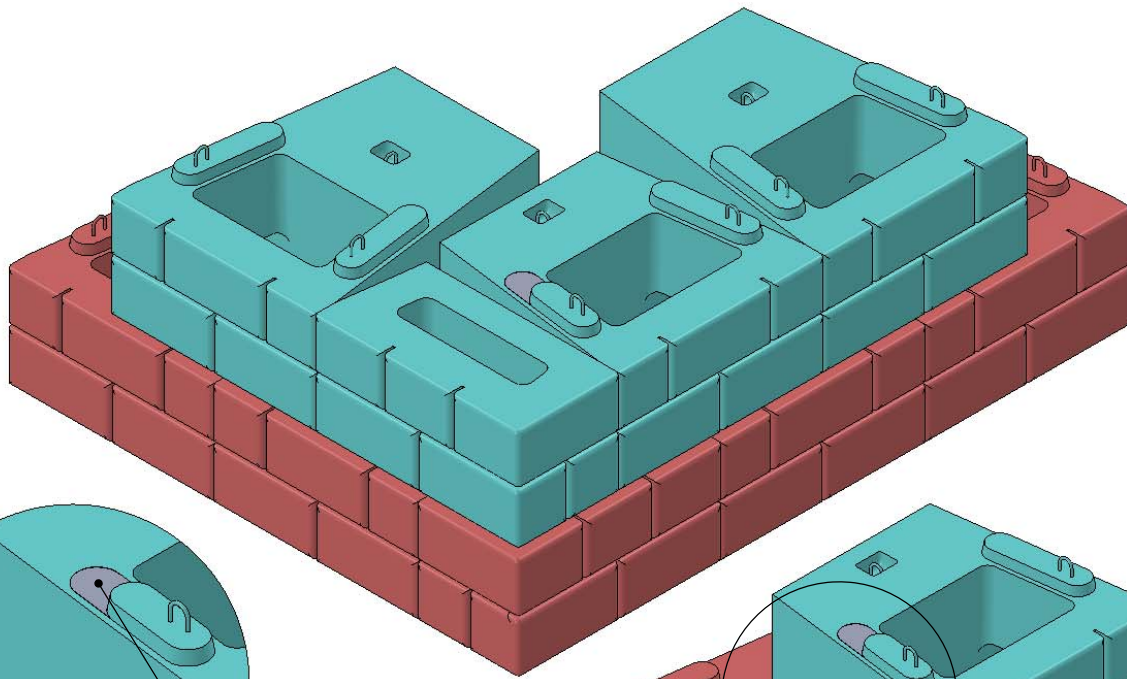
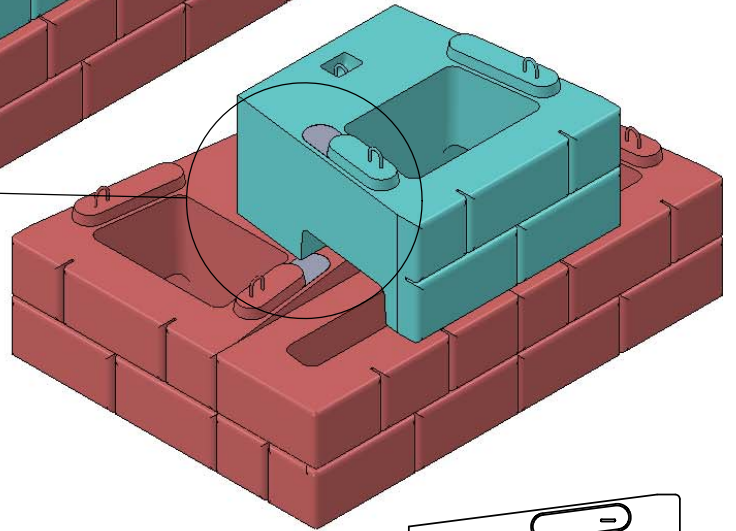


OUTSIDE CORNER WITH MASS EXTENDERS DETAIL

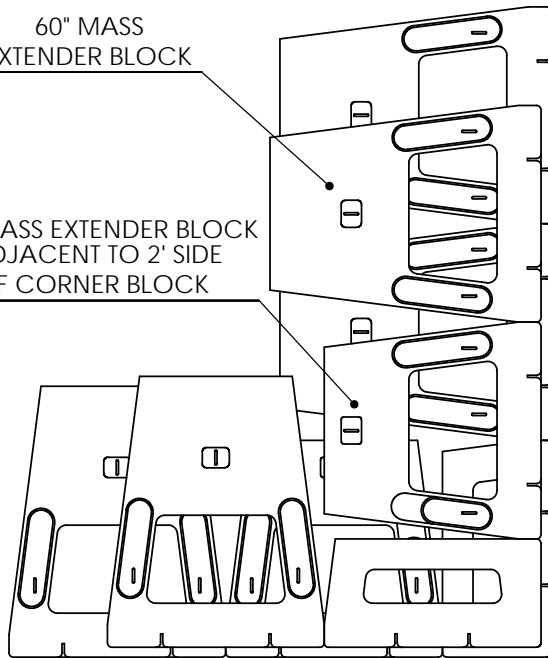


CONFLICTING POINT



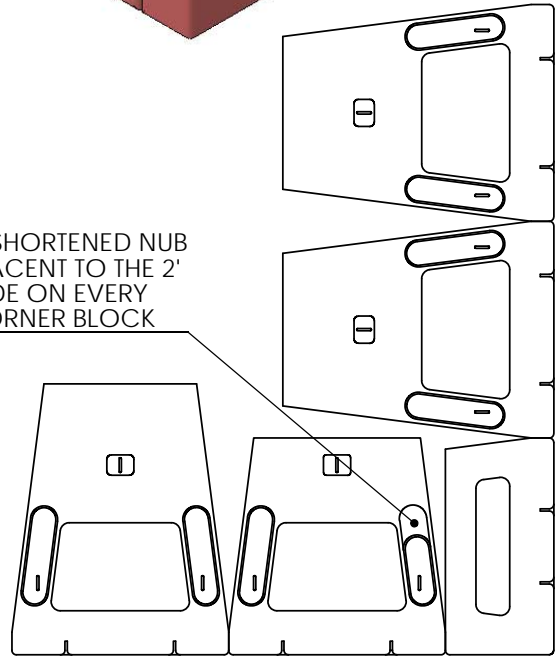
60" MASS EXTENDER BLOCK

48" MASS EXTENDER BLOCK ADJACENT TO 2' SIDE OF CORNER BLOCK



ROW 2

ONE SHORTENED NUB ADJACENT TO THE 2' SIDE ON EVERY CORNER BLOCK



ROW 1



DRAWN BY
DAN BALLING

DATE
12/12/2013

16500 SOUTH 500 WEST
BLUFFDALE, UTAH 84065
PHONE: (801) 571-2028

TITLE:
OUTSIDE CORNER w/ ME

DWG NO.

WD-5

SCALE: 1: 40

SHEET 1 OF 1