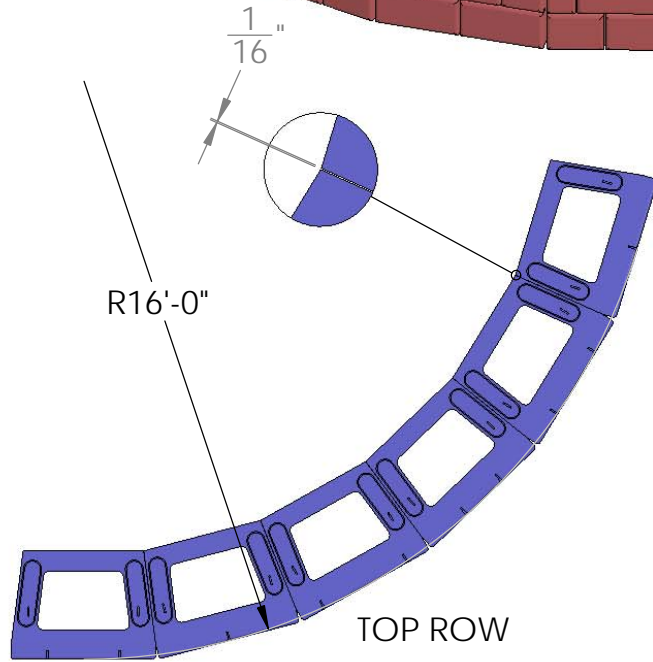
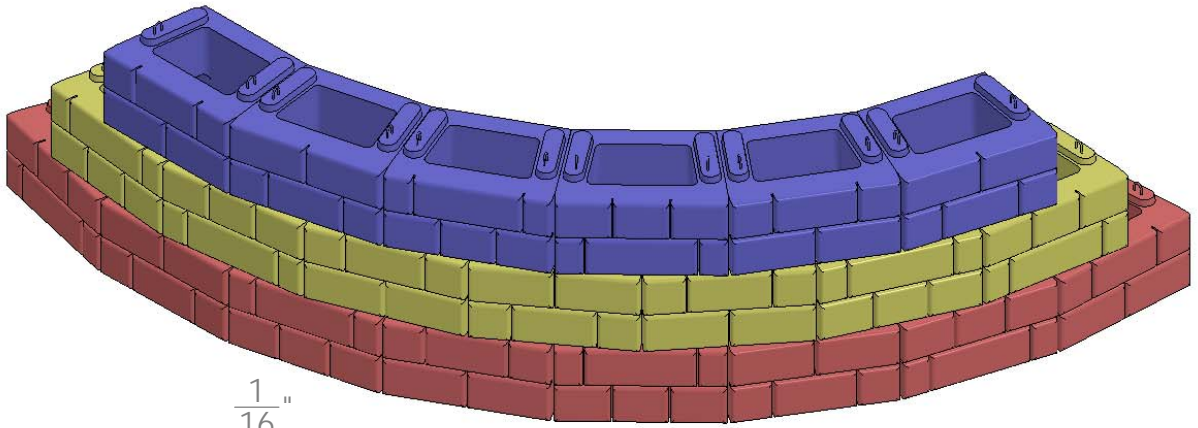
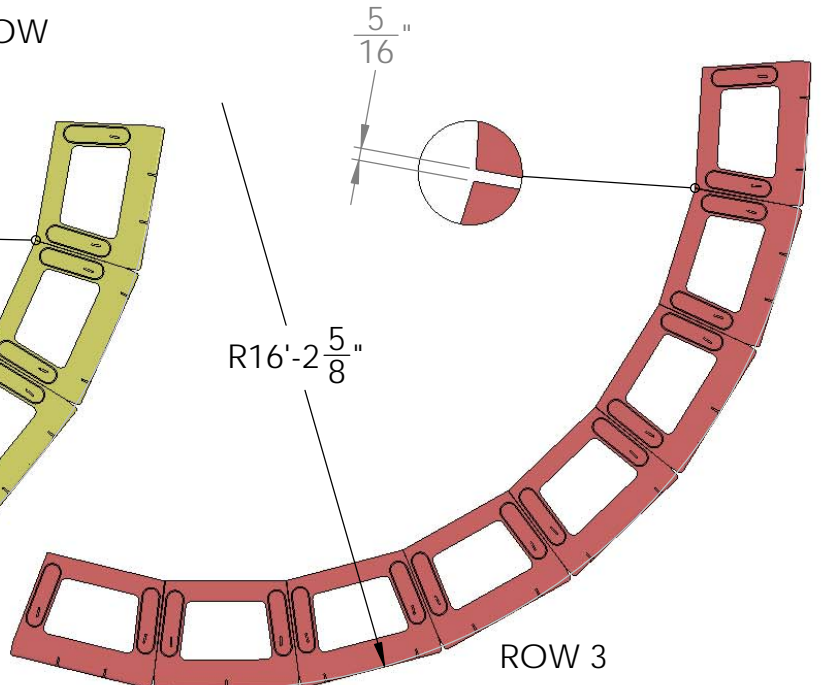
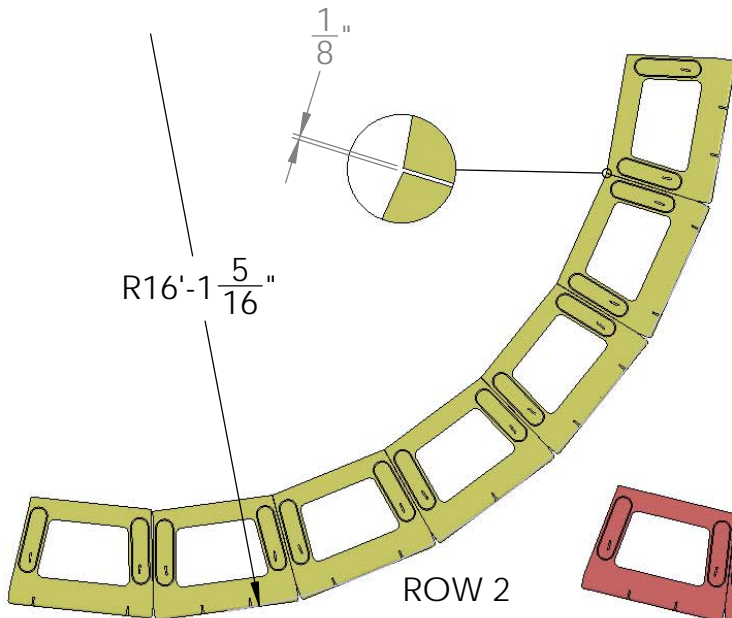


# OUTSIDE CURVE DETAIL



**NOTE:**  
 TOP ROW MINIMUM RADIUS IS 16'.  
 SETBACK IS 1 5/16" AND EACH ROW  
 WILL INCREASE THE RADIUS BY 1 5/16"  
 MORE THAN THE ROW ABOVE IT.



DRAWN BY	DATE	TITLE:
DAN BALLING	12/12/2013	OUTSIDE CURVE
16500 SOUTH 500 WEST BLUFFDALE, UTAH 84065 PHONE: (801) 571-2028		DWG NO.
		WD-6
SCALE: 1: 40		SHEET 1 OF 1